

TA90-7500 SERIES

UP TO 1939 KW (2600 HP)

The 7500 Series transmission system consists of a 9-speed coaxial power-shift transmission and an advanced electronic control system.



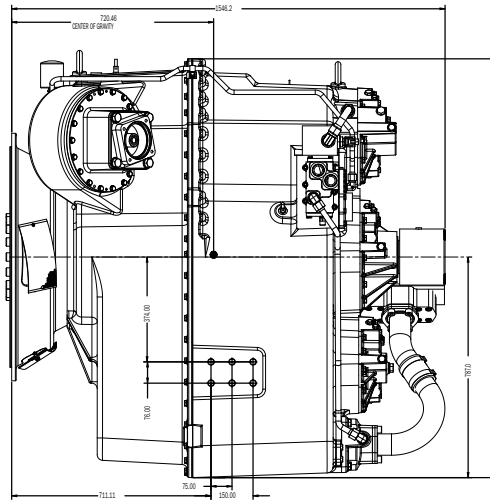
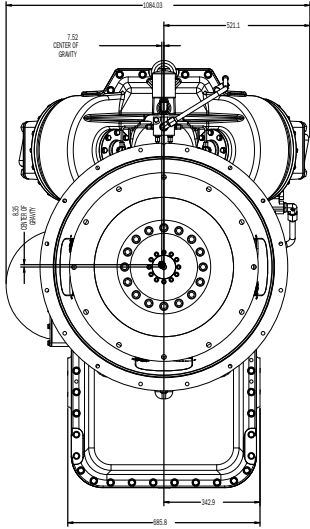
FEATURES AND BENEFITS

- LIGHTWEIGHT YET DURABLE ALUMINUM HOUSINGS REDUCE OVERALL VEHICLE WEIGHT
- DOES NOT REQUIRE A TORQUE CONVERTER, FURTHER CONTRIBUTING TO OVERALL WEIGHT SAVINGS
- COMPACT IN SIZE AND ABLE TO FIT BETWEEN A MOBILE EQUIPMENT'S FRAME RAILS
- OVERALL LENGTH OF 1546 MM (61 IN) PROVIDES NARROW FOOTPRINT
- SMALLER GEAR RATIO STEPS PROVIDE DELIVERY OF HIGHER AVERAGE POWER
- LESS COMPLICATED PLUMBING MAKES IT EASIER TO FIT INTO THE CRAMPED QUARTERS OF A FRAC RIG
- OFFERS TWO LIVE 149 KW PTOS
- INCLUDES A TORSIONAL COUPLING
- AUTOMATIC ELECTRONIC OIL LEVEL SYSTEM AVAILABLE
- IN MOST CASES, STANDARD ENGINE OIL MAY BE USED, SIMPLIFYING SERVICING REQUIREMENTS
- DESIGNED TO MATCH ENGINE LIFE
- MADE IN AMERICA, THE TA90-7500 TRANSMISSION FEATURES THE SAME RELIABILITY AND ROBUST DESIGN ON WHICH TWIN DISC BUILT ITS REPUTATION

	1st	2nd	3rd	4th	5th	6th	7th	8th	9th	Coverage
RATIOS	2.95	2.55	2.17	1.82	1.57	1.33	1.16	1.00	0.85	3.47
STEP	1.16	1.18	1.19	1.16	1.18	1.15	1.16	1.18		

Specifications subject to change without prior notice in the interest of continual product improvement.
Contact your local Twin Disc representative for engineering specifications.





Dimensions are in millimeters

For nearly a century, we've been putting horsepower to work by designing, engineering and manufacturing rugged-duty industrial products. Our products and our reputation are bolted to the most renowned engine manufacturers and equipment OEMs in the world. Our mission is to make your machines and vehicles more productive, more durable, more operator-friendly, more cost-effective. From design and installation consultation through after-sale support, Twin Disc and its distributors are committed to your business. No one knows more about managing horsepower in more ways than Twin Disc.

TRANSMISSIONS • CLUTCHES • PTOS
PUMP DRIVES • TORQUE CONVERTERS
GEARBOXES • HYDRAULIC PTO PRODUCTS

SPECIFICATIONS

TA90-7500	9 forward speeds, no reverse
Maximum gross input power	1939 kW (2600 hp) at 1900 rpm
Maximum gross input torque	10460 Nm (7715 lb-ft)
Maximum input speed	1900 rpm
Dry weight - estimated, without PTO	2041 kg (4500 lbs)
Center of gravity location, horizontally from engine flywheel housing on input-output centerline	720 mm (28 in)
Available live PTO drives	0, 1, or 2
Power each:	149 kW (200 hp)
PTO designation, per SAE J744	127-2, 22-4 (SAE B 2-bolt) 127-4, 22-4 (SAE B 4-bolt) 152-4, 32-4 (SAE C 4-bolt) 165-4, 44-4 (SAE D 4-bolt)
PTO ratios (@ engine speed, rpm)	1.087 (2066 rpm) 1.579 (3000 rpm)
Oil volume	83 liters (22 USG)
Oil flow	400 LPM (106 GPM)
Mounting	SAE 00 dry flywheel housing
Output flange	T200

Important Notice: Torsional Vibration

Disregarding system torsional compatibility could cause damage to components in the drive-train resulting in loss of mobility. At minimum, system incompatibility could result in gear clatter at low speeds.

The responsibility for ensuring that the torsional compatibility of the system is satisfactory rests with the assembler of the drive and driven equipment.

Torsional vibration analysis can be made by the engine builder, marine survey societies, independent consultants and others. Twin Disc is prepared to assist in finding solutions to potential torsional problems that relate to the transmission.

Twin Disc, Incorporated reminds users of these products that their safe operation depends on use in compliance with engineering information provided in our catalog. Users are also reminded that safe operation depends on proper installation, operation and routine maintenance and inspection under prevailing conditions. It is the responsibility of users (and not Twin Disc, Incorporated) to provide and install guards or safety devices which may be required by recognized safety standards or by the Occupational Safety and Health Act of 1970 and its subsequent provisions.

United States of America • Australia • Belgium • France • Italy • Singapore • Switzerland • Canada



Twin Disc, Incorporated
Racine, Wisconsin 53403 USA
Phone +1-262-638-4000
Fax +1-262-638-4482
www.twindisc.com

TD-Bulletin-TA90-7500
© 2009, Twin Disc, Incorporated
Printed in the USA - 04/2009