



Overview .....	92
Diesel Engine Coolant Filtration.....	92
Diesel Coolant Trends & Changes .....	92
Typical Coolant Filtration System .....	93
Coolant Filters & Design Features.....	94
Filter Media .....	95
Extended Service Coolant Filtration (Donaldson Endurance™) .....	96
Traditional Coolant Head and Filters.....	97
Cooling System Maintenance.....	98
Diesel Engine Coolant Maintenance Requirements .....	98
Test Strip Kit .....	98
Service intervals (flush/recharge).....	98
Coolant Additives .....	99
Proper Steps for Spin-on Coolant Replacements .....	100
Coolant Hose - 3 & 4 Ply.....	101
SCA/SCA+ Chemical Differences.....	101
Coolant .....	102
Spin-on Coolant Filters .....	103
Cooling System Problems.....	104



## Diesel Engine Coolant Filtration

It is estimated that 40 to 50% of engine down-time is due to coolant system failure. This is more than just annoying, because most coolant system failure is avoidable. And with today's diesel engines putting out more heat, cooling system care has become even more important than before.

Your engine coolant battles rust, scale formation, acidity, foaming, silicate drop out and debris while it works to transfer heat and maintain the right operating conditions for optimal fuel economy.

Two filtration solutions are available for light and heavy EGR engines with SCR emissions devices. OEMs using heavy EGR coolant systems will be seeing increased thermal cycling and accelerated coolant additive depletion. Coolant conditions may need to be checked more frequently to ensure proper coolant chemical balance.

It's critical that you understand the exact make-up of coolant in your engine - the chemical is very specific to the job and operating environment.

### Coolant System Considerations:

- Do you have traditional coolant that will require traditional supplemental coolant additives?
- Do you have an organic acid based coolant?
- Do you have an extended-service traditional blend?

As you consider your options, consider selecting a fully formulated antifreeze/coolant that meets either truck maintenance regulations for your region (such as; U.S. Truck Maintenance Council (TMC) RP 329 or RP330 specifications). New glycerin formulae that meet the specifications use non-toxic glycerin derived from renewable sources to effectively extend service intervals and provide ultimate protection in a greener product.

Coolant testing should be done at least twice annually or when major coolant loss occurs.



## Diesel Coolant Trends & Changes

- Increased thermal recycling will accelerate coolant additive depletion
- Long life coolant and filters
- Increased coolant testing (minimum 2x per year).
- Increased use of organic coolants

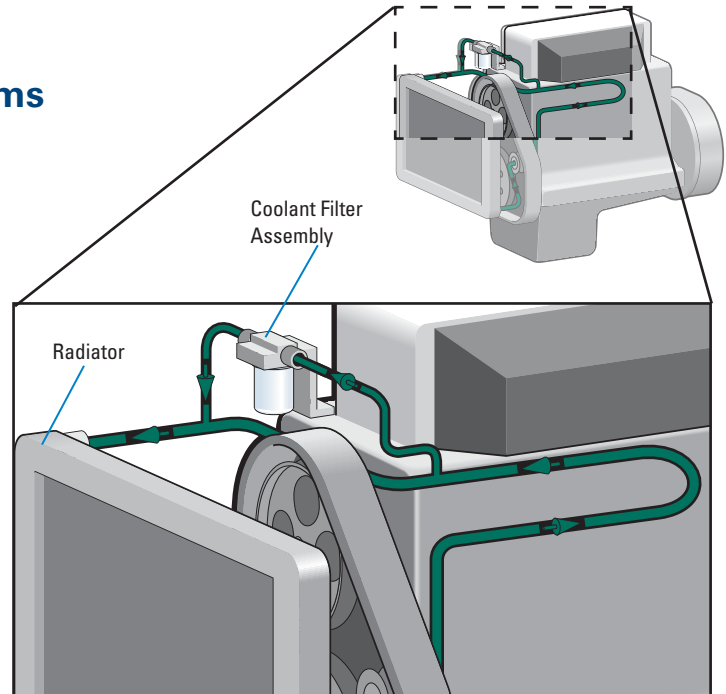
Coolant systems are referred to as a closed loop system with the filter operating in a side loop to the main flow. This means that a small percentage of flow goes through a filter that is designed to capture large contaminants. Coolant filters intended to maintain additive levels have an internal baffle with a small hole to control the rate of additive chemical release into the system.

Periodic drain and flushing to clean a system is important because while coolant filters capture large contaminant and release additive chemicals into the system, sediment can accumulate in the coolant system. These sediments act as an insulator keeping heat in and prevent heat dissipation.



## Typical Coolant Filtration Systems

There are many commercial options available for coolant filtration. Regardless of your preference, proper maintenance is essential to engine longevity. There are two popular choices for coolant systems – traditional or organic acid types.



### Traditional Coolant Systems

These systems are characterized by the use of ethylene glycol or propylene glycol in conjunction with a supplemental coolant additive. Typical coolant life is two years / ~300,000 miles / 480,000 kilometers). Engines using this chemical base typically recharge the chemical at every oil drain interval.

Donaldson filter options for traditional systems include: Donaldson filters pre-charged with SCA or SCA+ chemicals, Donaldson Endurance™ PLUS with slow-release additive or a non-charged (blank) filter (user would add liquid SCA as needed).

### Organic Acid Coolant Systems

Organic acid technology (OAT) is a choice for those interested in long life or extended service coolant. OAT systems are not chemically compatible with the traditional SCA/SCA+ coolant systems. Typical coolant life is four years / ~600,000 miles / 965,000 kilometers). Engines using this chemical base typically recharge the coolant at ½ the life of the coolant.

Donaldson filters for OAT systems: Donaldson Endurance™ (non-chemical).

### Hybrid Coolant Systems

This type of coolant system is a blend of traditional and OAT coolant technologies. They may offer improved protection and extended life characteristics over OAT. The expected life is same as OAT, but with an annual recharge (vs. ½).

Donaldson filters for Hybrid systems: Donaldson Endurance™ (non-chemical).



### Coolant Filters

Coolant system filters are typically partial-flow (by-pass) filters, with less than 10% of the coolant flow circulating through the filter at any given time.

Donaldson coolant filter offering allows you to choose the method that suits your maintenance practices and schedules.

Donaldson coolant filters are designed to work in a wide variety of operating environments and meet the service requirements of the majority of heavy-duty diesel engines.

Use of the correct filter is important to maintain the proper balance in the system to prevent over concentration (silicate drop out) or under concentration which leads to corrosion, liner pitting or other system problems.

There are four types of Donaldson coolant additive filter types available.

The pre-charge filter which contains enough coolant additive to initially charge the cooling system and to allow for depletion to the first service interval.

The standard charge spin-on filters which contain adequate chemical additive to maintain cooling systems between service intervals.

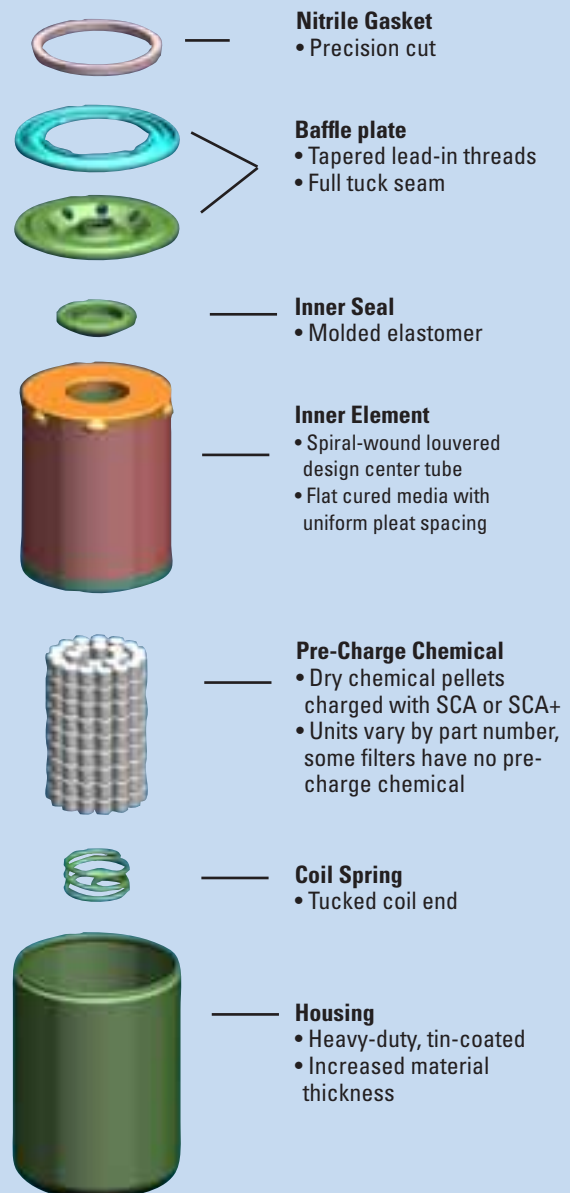
Blank filters which contain no chemical additive and can be used for the following systems, cooling systems maintained by liquid additive, systems using long life coolants which require no additive, or on overcharged systems to bring the additive level back to a normal range. Blank filters are not intended to be used with water-only systems.

The fourth type is Donaldson Endurance Plus time release spin-on series which release small amounts of additive into the system over a period of time to maintain proper additive levels.

### Coolant Spin-on Design Features

The Donaldson spin-on coolant filter has three heavy-duty features: a thread-plate profile for strength, rolled threads which are cleaner, and the robust full tuck seam for extra durability. The Donaldson tapered thread profile simplifies installation and prevents cross threading.

Not all filters have an inner seal between the thread plate and end plate. Donaldson's seal is constructed of molded elastomer which is designed for extreme cold and heat.





## Filter Media

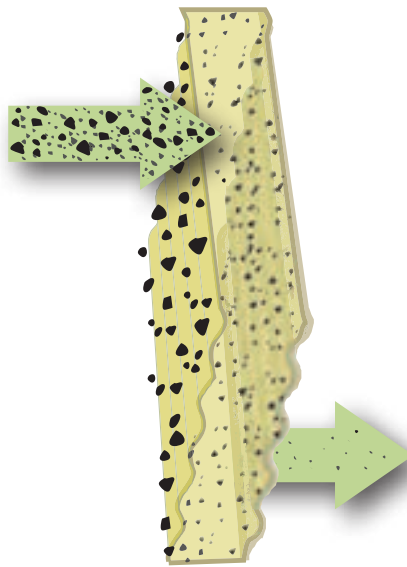
Coolant filter medias are available to meet the most stringent of engine system design challenges. Donaldson engineers have a history of development and application of media technology that exceeds application cleanliness and service life expectations. In fact Donaldson was the first company to introduce fully synthetic media's to the engine lube market in the early 1980's. This media is now commonly adopted for extended life or enhanced protection needs.

### Cellulose Media

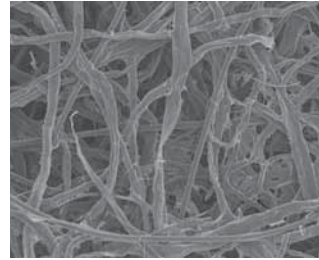
Engine coolant filter media is most commonly a pleated cellulose base material. This media effectively combines an application's efficiency and capacity requirements while maintaining cost effectiveness.

Traditional based coolant system often use this media when service intervals are maintained with non-extended oil drain intervals.

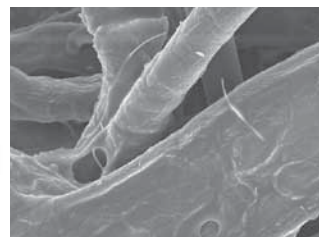
How it Works



SEM 100xa



SEM 600x



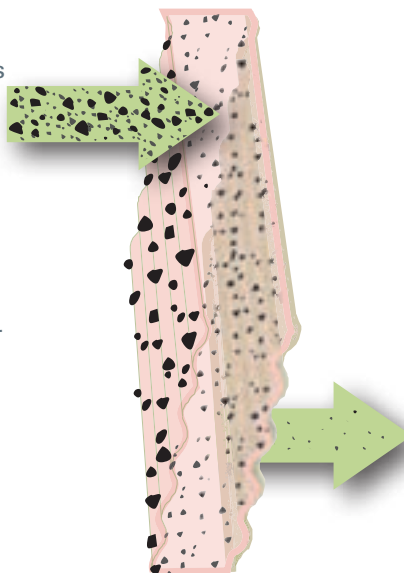
Media Image



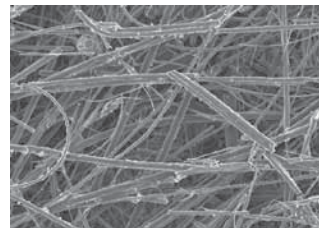
### Synteq™ Media (full synthetic)

Extended life intervals require micro-fiberglass synthetic media trademarked Synteq™. This media provides enhanced durability for extended drain intervals while maintaining or improving efficiency and capacity. Donaldson Synteq™ coolant media also offers lower restriction, ensuring component protection over a larger range of engine conditions.

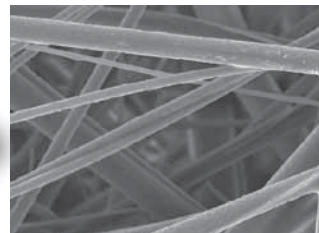
How it Works



SEM 100xa



SEM 600x



Media Image







# Donaldson® Endurance PLUS

## with Additive Replenishment Technology

Through a controlled chemical release process, the Donaldson Endurance Plus Coolant filter replenishes the additives in traditional diesel engine coolant. It allows you to extend your coolant maintenance interval up to once a year or 150,000 mile / 195,000 km.

### Additive Replenishment Built into the Filter

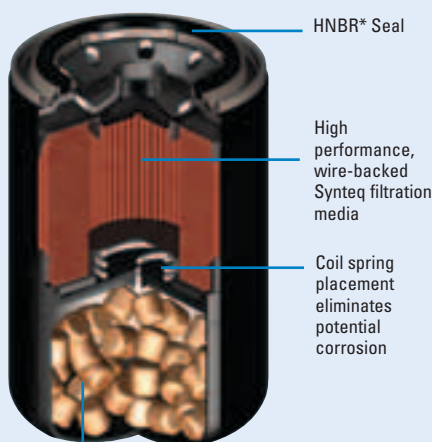
- Maintains healthy coolant condition
- Reduces maintenance costs
- Uses time-release additives to replenish coolant
- For use with supplemental coolant additive (SCA) chemistry (Ethylene Glycol or Propylene Glycol)

### Direct Replacement to Standard Filter

- No system modifications or special maintenance required
- Unique design eliminates metal coil spring in bottom of housing
- No special disposal requirements
- For Caterpillar, Detroit Diesel, Volvo and Cummins engine applications

### Synteq™ Filtration Media

- More effective than standard cellulose filter media
- Improved coolant flow
- Increased capacity to allow extended service interval



Container releases a concentrated blend of additives through diffusion  
For traditional coolants - Ethylene Glycol or Propylene Glycol

### How Additive Replenishment Technology Works!

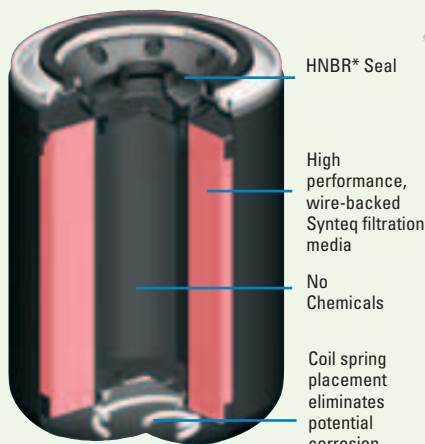
Coolant enters the filter just as the standard coolant filters. Inside the filter, a controlled release of additives is introduced to maintain coolant chemistry and chemistry.

The coolant continues a normal flow to the media cartridge and passes through our Synteq filter media. Clean, replenished coolant is returned to the engine.

This additive replenishment process is optimized to effectively maintain the healthy condition of the coolant and allows you to extend your coolant maintenance interval up to once a year or 150,000 miles /195,000 km.

Fits Coolant Filter	Type
All	ECF4088
Volvo M16 x 1.5 Thd	ECF4089

# Donaldson® Endurance



Non-chemical filters will go the distance of your coolant; for Organic Additive Technology and Extended Service Coolant Users

Fits Coolant	Part No.
All	ECF4085
Volvo M16 x 1.5 Thd	
3969696	ECF4086 -5.35" L
20458771	ECF4081- 4.20" L

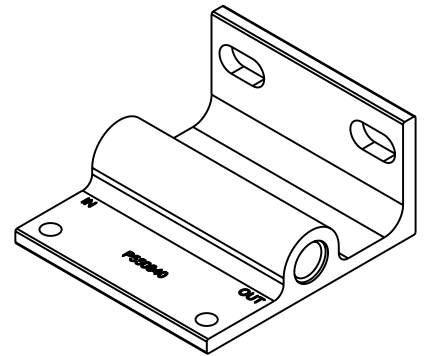
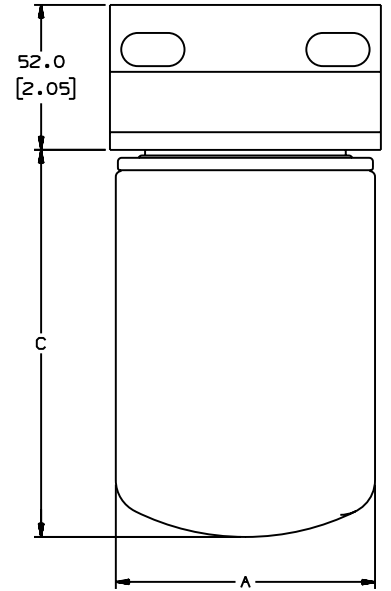
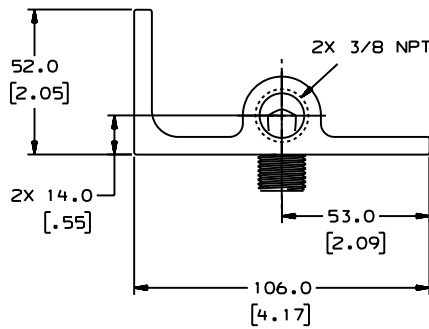
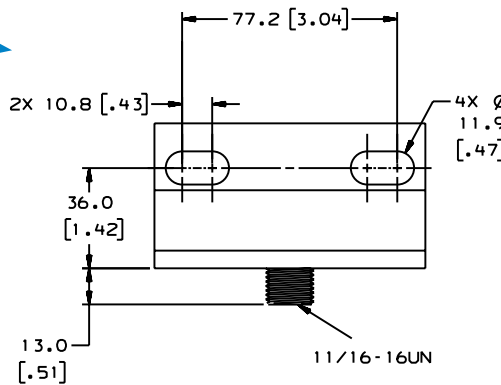
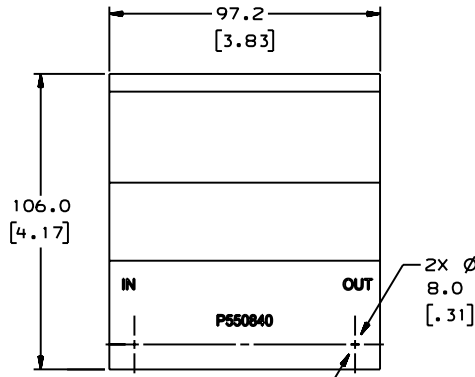
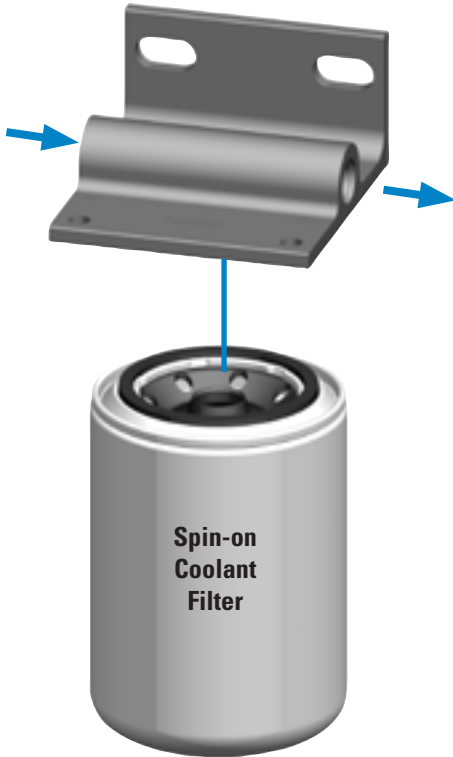
\* HNBR = Hydrogenated Nitrile Butadiene Rubber HNBR is classified by ASTM as a DH-type polymer



## Handles Coolant Systems up to 400 Gallons / 1500 Liters

The Donaldson remote mount head is designed to fit all our spin-on filters with a 11/16" -16 threads. The bracket can be mounted remotely.

Head Part No. P550840



Outer Dia. (A)		Length		Efficiency @ Micron	Chemical Units	SCA Filter Part No.	SCA+ Filter Part No.
IN	MM	IN	MM				
3.66	93	4.21	107	99% @ 50	2 Units		P552070
				99% @ 50	4 Units	P554071	P552071
				99% @ 50	6 Units	P554072	P552072
		5.35	135	99% @ 14	Extended Service No Chemical	ECF4085	
				99% @ 14	Extended Service, Time Release	ECF4088	N/A
				99% @ 50	8 Units	P554073	P552073
				99% @ 50	12 Units	P554074	P552074
				99% @ 50	15 Units	P554075	P552075
				99% @ 50	Standard Service No Chemical	P554685	



### Diesel Engine Coolant Maintenance Requires

- Low silicate antifreeze
- Good quality water
- Protective Coolant Additive
- Routine Coolant Concentration Testing

### Test Strip Kit

Donaldson test kits offer a quick, one-minute test that helps you maintain that cooling system chemical balance. Donaldson recommends testing your coolant twice a year.

N. America (shown) Part No. X007684 (12 test strips per package)  
 Australia Part No. P901874 (4 strip), X007103 (50 strips), P901873 (25 -4 strip box)



### Cooling system service guidelines at service intervals or at flush and re-charge time.

**Servicing up to 20 Gallons / 75.7 L**  
**Install a new filter corresponding SCA/SCA+ units**

Service Interval			0-5 gals	6-10 gals	11-15 gals	16-20 gals
@ Miles	@ KM	@ Hours	0-19 L	22.7-37.8L	41.6-46.7 L	60.6-75.7 L
5,000	8045	125 hrs	n/a	2 units	2 units	2 units
10,000	16,090	250 hrs	2 units	2 units	4 units	4 units
15,000	24,135	375 hrs	2 units	4 units	4 units	6 units
20,000	32,180	500 hrs	2 units	4 units	6 units	8 units
25,000	40225	625 hrs	2 units	4 units	8 units	12 units

\*SCA or SCA+

**Greater than 20 gallons / 75.7 liters**  
**SCA/SCA+ additive replenishment recommendations**

Cooling System Capacity		at 250 Hours		at 500 Hours	
21-30 gallons	79.5-113.6 liters	2 pints	0.9 liters	3 pints	1.4 liters
31-50 gallons	117.3-189.3 liters	3 pints	1.4 liters	5 pints	2.4 liters
51-75 gallons	193.0-283.9 liters	4 pints	1.9 liters	8 pints	3.8 liters
76-100 gallons	287.7-378.5 liters	5 pints	2.4 liters	10 pints	4.7 liters
101-150 gallons	382.3-567.8 liters	8 pints	3.8 liters	15 pints	7.1 liters
151-200 gallons	571.5-757.0 liters	10 pints	4.7 liters	20 pints	9.5 liters
201-250 gallons	760.8-946.3 liters	13 pints	6.2 liters	25 pints	11.8 liters
251-300 gallons	950.0-1135.5 liters	15 pints	7.1 liters	30 pints	14.2 liters
301-350 gallons	1189.3-1324.8 liters	18 pints	8.5 liters	35 pints	16.6 liters
351-400 gallons	1328.5-1514.0 liters	20 pints	9.5 liters	40 pints	18.9 liters

### Actions Required After Testing

If your additive is...



**Below 1.2 units per 1 gallon / 3.8L**

Replace the coolant filter and add 1 pint (.47L) of additive liquid per each 4 gallons /15.1L of coolant

**Between 1.2 - 3 units per 1 gallon / 3.8L**

Continue to replace the coolant filter at each oil drain interval.



**Greater than 3 units per 1 gallon / 3.8L**

Replace the coolant filter with a non-charged filter until the additive concentration falls below 3 units per 1 gallon/3.8 L when tested at every subsequent oil drain interval.





## Re-charge Cooling System after Flush

Cooling System Capacity		Add this amount of SCA or SCA+	
5-7 gallons	18.9-26.5 liters	2 pints	0.9 liters
8-11 gallons	30.3-41.6 liters	3 pints	1.4 liters
11-15 gallons	41.6-56.8 liters	4 pints	1.9 liters
16-20 gallons	60.6-75.7 liters	5 pints	2.4 liters
21-30 gallons	79.5-113.6 liters	1 gal	3.8 liters
31-50 gallons	117.3 to 189.3 liters	1.5 gal	5.7 liters
51-75 gallons	193.0-283.9 liters	2.25 gal	8.5 liters
76-100 gallons	287.7-378.5 liters	3 gal	11.4 liters
101-150 gallons	382.3-567.8 liters	4.5 gal	17.0 liters
151-200 gallons	571.5-757.0 liters	6 gal	22.7 liters
201-250 gallons	760.8-946.3 liters	7.5 gal	28.4 liters
251-300 gallons	950.0-1135.5 liters	9 gal	34.1 liters
301-350 gallons	1139.3-1324.8 liters	10.5gal	39.7 liters
351-400 gallons	1328.5-1514.0 liters	12gal	45.4 liters



## Coolant Additives

Supplemental Coolant Additive (SCA/SCA+) is available in many sizes, from a pint to a 55-gallon drum.

Different part numbers are available for Australia see information on following page.



## Cooling System Treatment

Size	SCA	SCA+
1 Pt./ 0.47 L.	X006136	X007099
1 Qt./ .95 L.	X007036	
2 Qt./ 1.89 L.	X007037	X007100
1 Gal./ 3.79 L.	X007038	
5 Gal./ 18.93 L.	X006137	X007101
Drum: 55 Gal./ 208.2 L.	X006138	X007102



## Proper Steps for Spin-on Coolant Filter Replacements

When a cooling system is serviced, coolant filters are replaced dry. They are not pre-filled with any fluids. After coolant filter installation, the coolant fluid mixture is poured into the radiator overflow reservoir.

### Before installation:



1. Remove radiator cap. Caution: follow safety precautions from engine manufacturer. Radiator cap may be hot. System may be under pressure.

2. Unscrew and remove the old filter.
3. Remove the old filter gasket if still attached to base.
4. Remove the old thread seal gasket if present.



5. Wipe filter mounting base/head with a clean cloth.

### Installation Instructions:



1. Apply a thin film of clean motor oil to the new filter gasket. Do not use grease.



2. To avoid cross-threading, line up the filter threads to the mounting base/head carefully. Screw the new filter on until the gasket contacts the base.



3. Follow the instructions on the filter for final tightening torque specification. Note: not all filters require tools.

### After Installation:

Pour the coolant fluid mixture into the radiator overflow reservoir. Start engine and check for leaks. Correct the source of leaks if observed.

Dispose of used filter and dispose of properly.

Donaldson spin-on filters use standard pictograms to convey proper filter change out.



**Coolant Filter**  
 Filtro para circuito refrigerante  
 Filtre pour liquide de refroidissement  
 Kühlwasserfilter

---

P554074

---

RADIATOR  
RADIATEUR  
KÄHLER

Drain and  
dispose of  
properly

---

Made in Mexico by Donaldson  
 Hecho en México por Donaldson  
 Fabriqué au Mexique par Donaldson



### Coolant Hose - 3 & 4 Ply

Designed to withstand extremes in operating temperatures ranging from -65°F to 350°F (-54°C to 177°C).

#### 3-ply hose 3 ft./0.91m lengths

3-ply hose is reinforced with three layers of polyester fabric and coated with a unique silicone elastomer.



Size (inner dia.)		Part No.	Nominal O.D.		Recommended Clamp	
in	mm		in	mm	Lined	Constant Torque
0.63	16	P171371	0.95	24	P532921	N/A
0.75	19	P171372	1.08	27	P532923	N/A
0.88	22	P171373	1.20	30	P532923	N/A
1.00	25	P171374	1.33	34	P532923	N/A
1.13	29	P171375	1.45	37	P532924	N/A
1.25	32	P171376	1.90	48	P532924	N/A
1.38	35	P171377	1.70	43	P115200	N/A
1.50	38	P171378	1.83	46	P115200	N/A
1.63	41	P171379	1.95	50	P115200	N/A
1.75	44	P171380	2.08	53	P115200	N/A
2.00	51	P171381	2.33	59	P115200	P532925
2.25	57	P171382	2.58	66	P115201	P532925
2.38	60	P171383	2.70	69	P115201	P532925
2.50	64	P171384	2.83	72	P115201	P532925
2.63	67	P171385	2.95	75	P143422	P532925
2.75	70	P171386	3.08	78	P143422	P532926
3.00	76	P171387	3.33	85	P143422	P532926
3.50	89	P171388	4.83	123	P115202	P532927
4.00	102	P171389	4.33	110	P115203	P532928

#### 4-ply hose 3 ft./0.91m lengths

4-ply hose is reinforced with an added layer of polyester fabric and provides even greater resistance to abrasion and rubbing.



Size (inner dia.)		Part No.	Nominal O.D.		Recommended Clamp	
in	mm		in	mm	Lined	Constant Torque
1.00	25	P171390	1.40	36	P532924	N/A
1.50	38	P171391	1.90	48	P115200	N/A
2.00	51	P171392	2.40	61	P115201	P532925
2.25	57	P171393	2.65	67	P115201	P532925
2.50	64	P171394	2.89	73	P115201	P532925
2.75	70	P171395	3.15	80	P143422	P532926

### SCA/SCA+ Chemical Differences

#### What are the SCA chemicals and how do they do their job?

Nitrite is the key chemical component in SCA cooling system treatment. Nitrite provides protection against cavitation, erosion, and it inhibits corrosion. Nitrate also provides corrosion protection to aluminum and solder.

Borate functions as an alkaline buffer to prevent acidity and controls pH.

MBT (Mercaptabenzothiazole) provides a plating effect on all copper and copper alloys, protecting them from direct contact with coolant and oxygen, and subsequent corrosion.

Silicate reduces corrosion of ferrous metals and is an effective aluminum corrosion inhibitor.

SCA may be substituted for DCA2 and BTE  
SCA+ may be substituted for DCA4 and BTA Plus

#### While the chemical composition of SCA+ Cooling System Treatment features some of the same chemicals, there are differences.

Molybdate and Nitrite are combined to provide cavitation erosion protection and inhibit corrosion.

Silicate reduces corrosion of ferrous metals and is an effective aluminum corrosion inhibitor. Phosphate functions as an alkaline buffer to prevent acidity and controls pH.

Donaldson SCAs combat a whole series of coolant system problems including, rust, scale from minerals, acidity from antifreeze, the intrusion of air fuel and oil to coolant, pitting of engine parts from cavitation, foaming from coolant aeration and silicate drop-out from over-concentration.



**Available in Australia and Asia-Pacific Regions**

Suitable for all heavy-duty diesel and gasoline engines. Detail complete details on this unique product offering, visit [www.donaldsonfilters.com.au](http://www.donaldsonfilters.com.au)

**Heavy-Duty Coolant**

This line of coolant allows longer coolant life expectancy compared to conventional coolants: 300,000 miles/400,000 km, 2 years or 6,000 hours (whichever comes first).

With proper maintenance, the Coolant Pre-Mix can be used for 150,000 miles / 250,000 kms, 4,000 hours or 12 months (whichever comes first) without recharge.



Size	Coolant Pre-Mix	Coolant Concentrate (must be diluted 50%)	Coolant Booster/ Additive	Radiator Flush
5 liter	P901850	P901855	P901875	P901870
20 liter	P901851	P901856	P901858	P901871
205 liter	P901852	P901857	P901859	P901872
1000 liter	P901853			
Bulk/liter	P901854			

**Donaldson Endurance™ Organic Long-Life Coolant**

If less maintenance is your goal, consider this line of long-life coolants. Not only does it last longer you don't need a pre-charged filter with this coolant. Suitable for all heavy-duty diesel and natural gas engines.

On-highway trucks: of 500,000 km or 4 years of service (whichever comes first)

Off-road trucks: 6,000 hours or 4 years of service (whichever comes first)



Size	Coolant Pre-Mix LLC 50-N (meets TMC RP329 practice)	Coolant Concentrate LLC-N (must be diluted 50%)	Coolant Extender LLE	Inhibitor Pre-mix LLI 7.5	Inhibitor Concentrate LLI
5 liter		P901884	P901892		P901860
20 liter	P901888	P901885	P901893	P901864	P901861
205 liter	P901889	P901886		P901865	P901862
1000 liter	P901890	P901887		P901866	P901863

**Coolant Spin-on Filters**

Thread	OD		Length		Item No	Part Description	Efficiency @ Micron	Primary Application	GSKT O.D.		GSKT I.D.	
	IN	MM	IN	MM					IN	MM	IN	MM

**Non-Chemical Blanks**

11/16 - 16	3.66	93	5.35	136	<b>P554685</b>	Spin-on non-chemical	50% @ 20	CUMMINS	2.81	71	2.42	61
3/4-20	3.67	93	5.32	135	<b>P551309</b>	Spin-on non-chemical	50% @ 25	MACK	2.81	71	2.42	61
M36 x 2	3.69	94	5.76	146	<b>P550867</b>	Spin-on non-chemical	99% @ 50	With Synteq	3.66	93	3.17	81

**SCA Filters**

1-16	4.28	109	5.78	147	<b>P554422</b>	Spin-on 11 Units - SCA		MACK 25MF422	3.89	99	3.55	90
11/16 - 16	3.66	93	4.21	107	<b>P554071</b>	Spin-on 4 Units - SCA	50% @ 25	CUMMINS 3315116	2.81	71	2.42	61
	3.66	93	4.21	107	<b>P554072</b>	Spin-on 6 Units - SCA	50% @ 25	CUMMINS 3318201	2.81	71	2.42	61
	3.66	93	5.35	136	<b>P554073</b>	Spin-on 8 Units - SCA	50% @ 25	CUMMINS 3315115	2.81	71	2.42	61
	3.66	93	5.35	136	<b>P554074</b>	Spin-on 12 Units - SCA	50% @ 25	CUMMINS 3316053	2.81	71	2.42	61
	3.66	93	5.35	136	<b>P554075</b>	Spin-on 15 Units - SCA	50% @ 25	CUMMINS 3318318	2.81	71	2.42	61
	3.66	93	7.89	200	<b>P552055</b>	Spin-on 23 Units - SCA	50% @ 20	CUMMINS 3305371	2.81	71	2.42	61
	3.69	94	5.32	135	<b>P552106</b>	Spin-on 4 Units - SCA	50% @ 25	NAVISTAR	2.83	72	2.46	62
	3.69	94	5.44	138	<b>P552088</b>	Time-release Spin-on, 43 Units	99% @ 25	NALCO NF2008, PENRAY NR2088, FLEET-GUARD WF2131, 10-20 gal capacity	2.85	72	2.42	61
3/4-20	3.66	93	5.35	136	<b>P554860</b>	Spin-on 8 Units - SCA	99% @ 50	MACK 25-MF-314A	2.81	71	2.42	61
M16 x 1.5	3.66	93	5.35	136	<b>P552096</b>	Spin-on 5 Units - SCA	99% @ 50	VOLVO 1661964 ,1699830	2.81	71	2.42	61
	3.66	93	5.35	136	<b>P554019</b>	Spin-on 8 Units - SCA	99% @ 50	VOLVO 3945411	2.81	71	2.42	61

**SCA+ Filters**

11/16 - 16	3.66	93	7.87	200	<b>P552076</b>	Spin-on 23 Units - SCA+	50% @ 20	CUMMINS 3318319	2.83	72	2.44	62
	3.69	94	4.15	105	<b>P552071</b>	Spin-on 4 Units - SCA+	50% @ 25	CUMMINS 3315116	2.83	72	2.46	62
	3.7	94	4.07	103	<b>P552070</b>	Spin-on 2 Units - SCA+	50% @ 25	CUMMINS 3318157	2.85	72	2.45	62
	3.7	94	4.07	103	<b>P552072</b>	Spin-on 6 Units - SCA+	50% @ 25	CUMMINS 3318201	2.85	72	2.45	62
	3.7	94	5.32	135	<b>P552073</b>	Spin-on 8 Units - SCA+	50% @ 25	CUMMINS 3315115	2.85	72	2.45	62
	3.7	94	5.32	135	<b>P552074</b>	Spin-on 12 Units - SCA+	50% @ 25	CUMMINS 3316053	2.85	72	2.45	62
	3.7	94	5.32	135	<b>P552075</b>	Spin-on 15 Units - SCA+	50% @ 25	CUMMINS 3318318	2.85	72	2.45	62
M36 x 2	3.69	94	5.76	146	<b>P550866</b>	Spin-on 8 Units - SCA+	99% @ 50	Cummins Extended Life Coolant	3.66	93	3.17	81

**Donaldson Endurance™**

11/16 - 16	3.66	93	5.33	135	<b>ECF4085</b>	Spin-on non-chemical	99% @ 14	EXTENDED SERVICE FILTER	2.83	72	2.44	62
M16 x 1.5	3.66	93	4.20	107	<b>ECF4081</b>	Spin-on non-chemical	99% @ 50	EXTENDED SERVICE FILTER	2.83	72	2.44	62
M16 x 1.5-6H	3.66	93	5.35	136	<b>ECF4086</b>	Spin-on non-chemical	99% @ 14	EXTENDED SERVICE FILTER VOLVO	2.73	72	2.44	62

**Donaldson Endurance™ PLUS**

11/16 - 16	3.67	93	5.35	136	<b>ECF4088</b>	Spin-on, additive replenishment technology	99% @ 14	EXTENDED SERVICE COOLANT	2.83	72	2.44	62
M16 x 1.5-6H	3.66	93	5.35	136	<b>ECF4089</b>	Spin-on, additive replenishment technology	99% @ 14	EXTENDED SERVICE COOLANT, VOLVO	2.83	72	2.44	62





## Cooling System Problems & Failures

There are many cooling system problems and failures. Most of these problems have occurred due to incorrect information and maintenance practices. The following will address these problem areas by correcting the erroneous information and listing the proper maintenance practices.

The chart shown below is a listing of the six most common problems seen in today's cooling system. Along with each problem is a description of how it occurs, how it affects your engine and, most importantly, the cure.

Problem	How it Happens	What it Can Do	The Cure
Rust	Oxidation within the cooling system	Clog the system. Cause accelerated wear	The inhibitors in a quality Supplemental Coolant Additive (SCA) prevent oxidation.
Acidity	One of two items: Ethylene glycol antifreeze reacts with oxygen in the air and forms acids; a loose head gasket or other leakage can allow sulphuric acids formed by the burning of fuel to leak into the cooling system.	Corrode iron, steel and aluminum.	The SCA keeps salt minerals in suspension so they cannot deposit on the engine metal surfaces or clog passages.
Pitted Cylinder Liners	Constant vibration of the cylinder liner causes a momentary vacuum to form on its surface. Coolant boils into the vacuum and vapor bubbles implode on the surfaces of the liner, digging into unprotected liners.	Cause pits which can extend over time, through the thickness of the liner and allow coolant to enter the combustion chamber or crankcase.	The SCA coats the liner with a thin film to protect it from erosion without impacting heat transfer.
Foam	Foam – the aeration of coolant – occurs from air leakage into the system.	Adds to the cavitation erosion problem, particularly in areas of water pump impellers	Today's SCAs have an anti-foam agent to prevent formation of air bubbles. This foam prevention agent is effective at all temperatures, even during start-up.
Pitted Water Pump Impellers	Flow rates and turbulence are high at the impeller blade. This causes cavitation. In addition there is a possibility that abrasive particles are present in the system.	Cause loss of pump efficiency and total pump failure	The supplemental additives protect the impeller from cavitation erosion and the filter holds particulate matter to reduce abrasive wear on the cooling system components

Filter Manufacturer's Council  
Technical Service Bulletin (TSB-88-1, September 1988)